

ARCHITECTURAL DESIGN **LED** WALLPACK LIGHTING

SML-757



DDE Inc.

SML-757

ARCHITECTURAL DESIGN LED WALLPACK LIGHTING



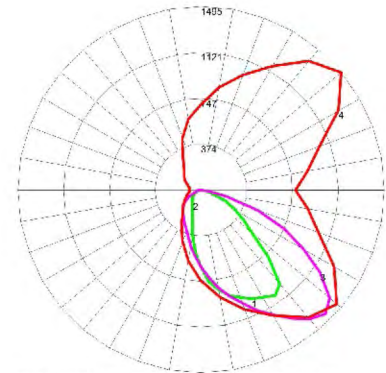
Full cutoff Architectural Wall mount light. This beauty performs efficiently with strategic lens providing various light distributions. Using the latest LED chips, fixture provides similar light output to a 200W metal halide for less than 1/2 the energy! This fixture combines energy efficiency, extremely long life and stylized design....beautiful in appearance and performance, with a light footprint on the environment!

Perfect for:

Parks, shopping malls, office building, hotels and entry ways

Technical Specifications

- * Die cast Aluminum housing
- * Architectural bronze UV resistant outdoor powder coat finish (or other colors)
- * UL listed / CUL listed
- * Input voltage: 120~277V AC
- * Quality long life CREE LEDs
- * Low Tj for long life, low lumen depreciation
- * Low starting temp -30°C
- * Color temperature — 4700K (other K values optional)
- * IC current controlled LED circuits for current stability
- * System input watts:60W (30 LEDs)



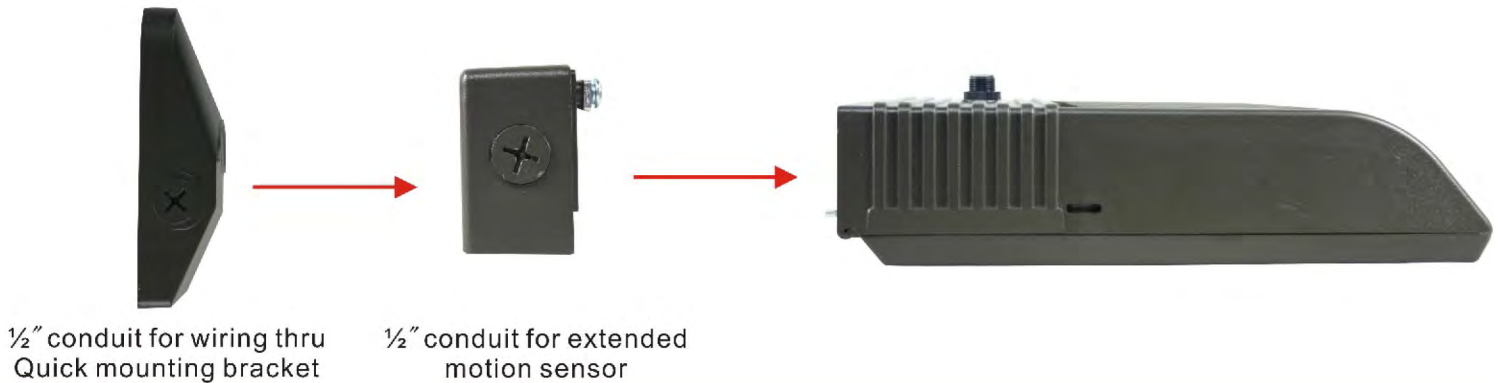
Maximum Candela = 1494.5 Location: At Horizontal Angle = 40, Vertical Angle = 45
1 - Vertical Plane Through Horizontal Angles (0 - 180)
2 - Vertical Plane Through Horizontal Angles (150 - 0)
3 - Vertical Plane Through Horizontal Angles (0 - 225)
4 - Horizontal Plane Through Vertical Angle (45) Through Max. Cd.



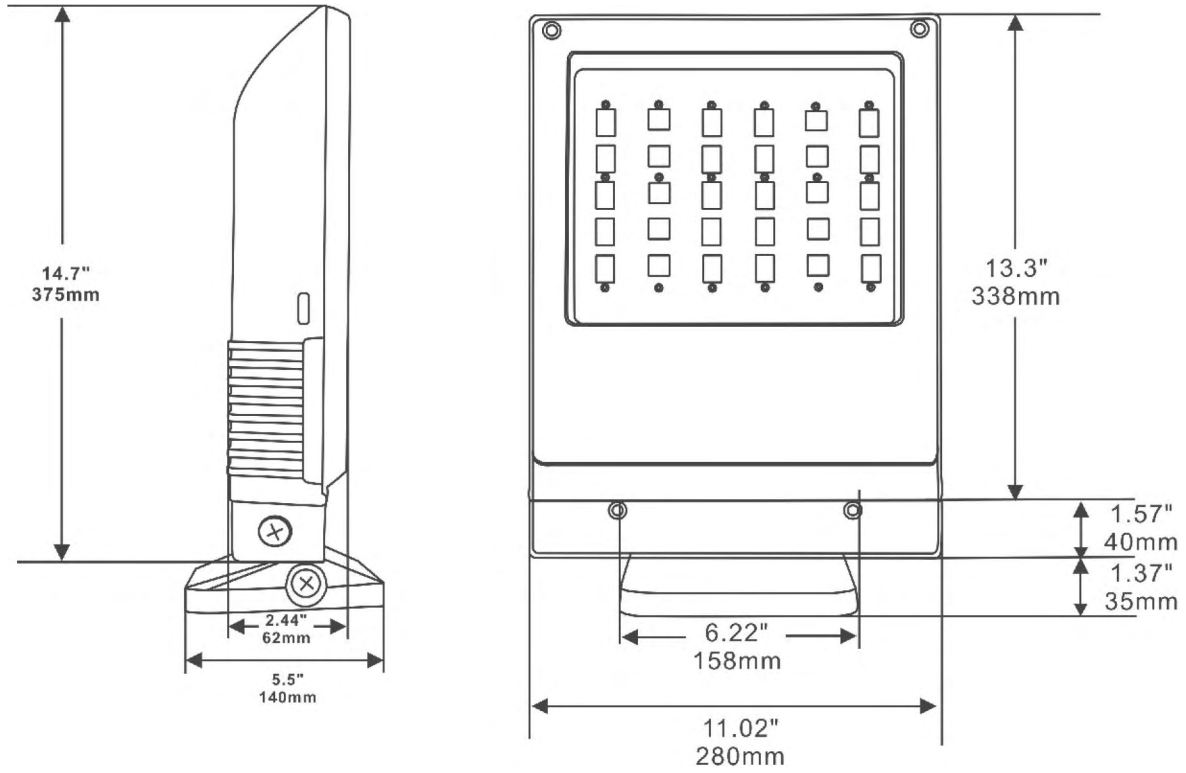
Powered by **CREE**™
LEDs



Cooling ribs double the surface providing faster heat dissipation



Dimensions



DDE Inc.

ddeonline.com
888-271-0644