

HEAVY DUTY **LED** AREA LIGHTING

FLL-560P-T3



DDE Inc.

FLL-560P-T3



40 LEDS

80 LEDS

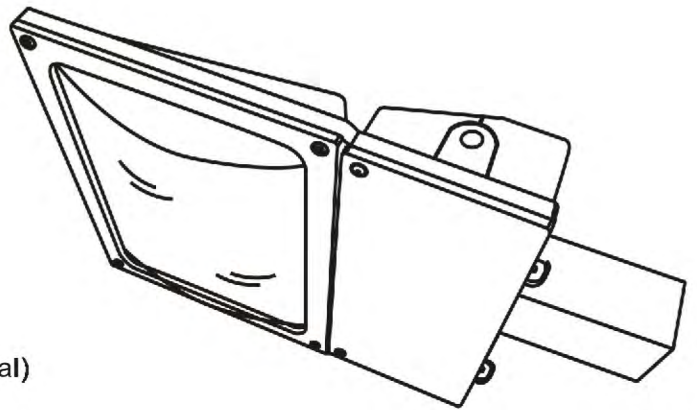


FLL-560 is an energy conserving arcgitectural floodlight. It replaces a Metal Halide 250W or 400W. Relamping once every 12~15 years, instead of every 6 months. Perfect for hard to service locations. Rugged diecast design insures LEDS operate at optimum temperature for long life.

Perfect for:
Streets, parks, warehouse,
hotels, entry-ways.

Technical Specifications

- * Die cast housing
- * Architectural bronze UV resistant outdoor powder coat finish (or other colors)
- * UL listed / CUL listed
- * Input voltage: 120~277V AC
- * Quality long life CREE LEDs
- * Low Tj for long life, low lumen depreciation
- * LED power— 196 Watts(80leds)
- * LED power— 98 Watts(40leds)
- * Low starting temp -30°C
- * Color temperature — 4700K (other K values optional)
- * IC current controlled LED circuits
- * Various optics available
- * Available in 3 types

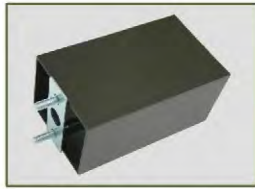


Powered by **CREE**™
LEDs

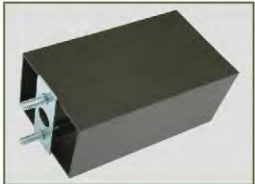
Specifications

One piece housing
Heavy-duty, die-casting
aluminum housing

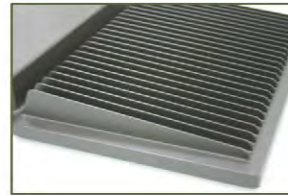
Integrated Cooling Fin(3° draft)
Release the heat efficiently
to maintain the life of led
and led driver.



6" pole mount



10" pole mount



Optional Mounting System



Trunnion
Adjustable aiming
over 180° arc



Slip Fitter
Joint adjust over 180° arc

Concave len for
maxima light
layout



Tamper Proof Screws
1/4" X 20T X 1/2" SUS
Meet 2013 UL Standard

6"PM Mounting



Wall Mount



Single Luminaire



2 Luminaires at 180°

10"PM Mounting



Wall Mount



Single Luminaire



2 Luminaires at 180°



2 Luminaires at 90°

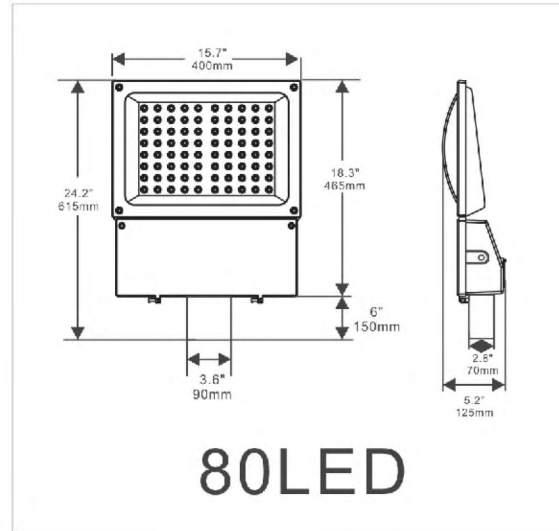
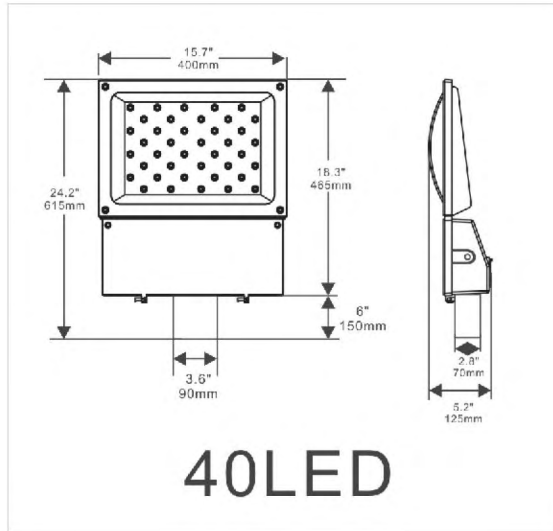


3 Luminaires at 90°



4 Luminaires at 90°

Dimensions



DDE Inc.

ddeonline.com
888-271-0644