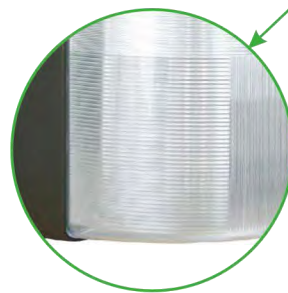
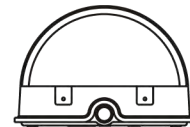
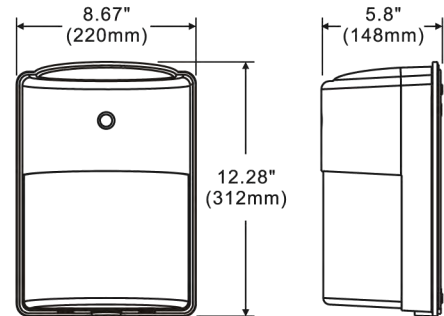


# Architectural Wallpack

Just what your customer needs when the SML-106/109 or SML-30X series provide too much light. This ruggedly designed prismatic wall lighter effectively diffuses and distributes the highly efficient led output to maximize spread, and utilization while minimizing wattage consumption. Ideal for energy retro rebates when replacing 70W or lower Metal Halide or HPS.

20 LEDs

## SML-362



Powered by **CREE**™  
LEDs

DDE Inc.

ddeonline.com  
888-271-0644

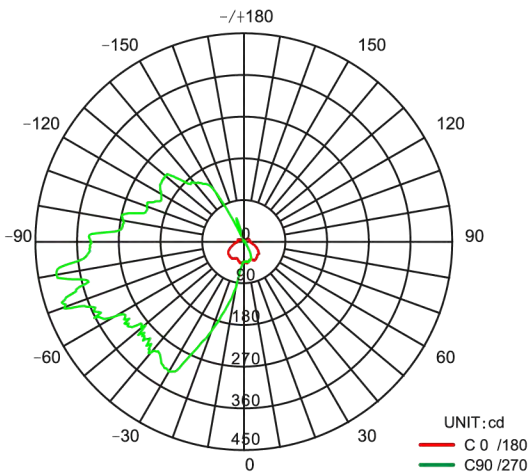
Constant Current  
Control Feature

Transient Protection  
System (Optional)

## TECHNICAL SPECIFICATIONS

- \* Die cast rear, polycarbonate front housing
- \* Architectural bronze UV resistant powder coat finish
- \* UL listed / CUL listed
- \* Input voltage: 120~277V AC
- \* Highest quality long life LEDs
- \* Low Tj for long life, low lumen depreciation
- \* LED power — 20 Watts
- \* Input power — approx. 26 Watts
- \* Lumens per LED — approx. 90~95
- \* Low starting temp -30°C
- \* Color temperature — 4700K ( other K values optional)
- \* IC current controlled LED circuits
- \* Photocontrol capability — optional

## PHOTOMETRIC



Average Beam Angle(50%): 130.3°

## DISTRIBUTION

