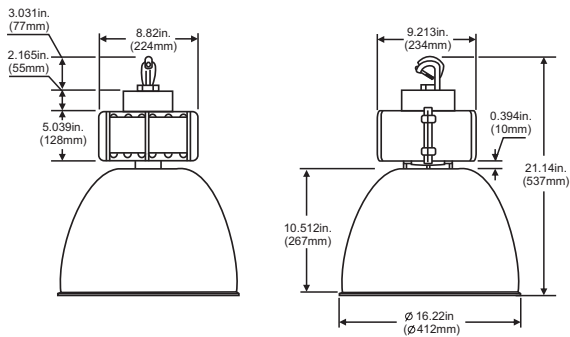


LB417-R16



For over 20 ft. (6 meter) applications factories, foundries, machines shops, warehouse, and large retail stores.

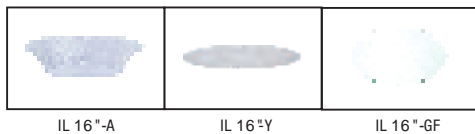
DIMENSIONS



GENERAL SPECIFICATION

- UL and CUL listed for damp locations
- Superior heavy duty die cast aluminum construction with white powder coating finish
- Mogul base socket-E39 standard, UL approved
- Comes with a hook for easy mounting
- Reflector comes in 16 inches acrylic reflector
- Ideal for HPS and MH 250 Watts Max

ASSEMBLY PARTS



ITEM NO .	LAMP	VOLTS	BALLAST
LB417-R16-S25	HPS250W/ED18/E-39	QUAD	HX-HPF
LB417-R16-H25	MH250W/ED28/E-39	QUAD	HX-HPF

LINE DRAWING

