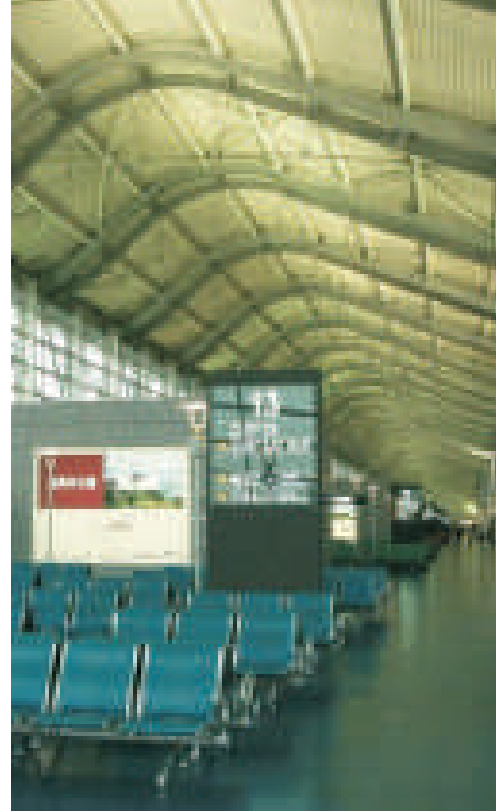


# LB417-L22A



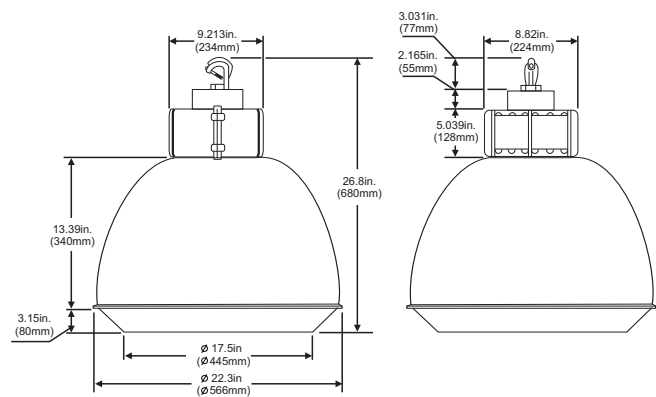
For over 20 ft. (6 meter) applications factories, foundries, machines shops, warehouse, and large retail stores.



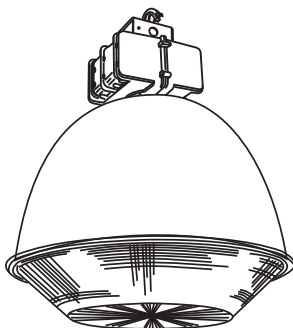
## GENERAL SPECIFICATION

- UL and CUL listed for damp locations
- Superior heavy duty die cast aluminum construction with white powder coating finish
- Mogul base socket-E39 standard, UL approved
- Comes with a hook for easy mounting
- Anodized aluminum which has been spun
- Reflector comes in 22 inches white
- Ideal for HPS and MH 400 Watts Max

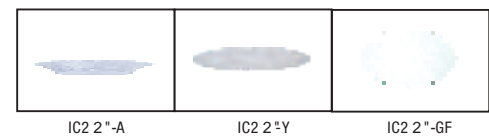
## DIMENSIONS



## LINE DRAWING



## ASSEMBLY PARTS



ITEM NO .	LAMP	VOLTS	BALLAST
LB417-L22A-S40	HPS400W/ED18/E-39	QUAD	HX-HPF
LB417-L22A-H40	MH400W/ED28/E-39	QUAD	HX-HPF