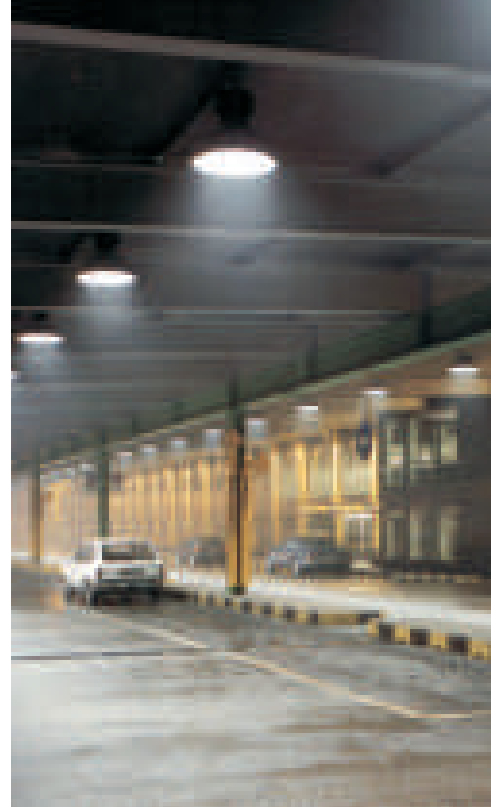


IL417-R22



For over 20 ft. (6 meter) applications factories, foundries, machines shops, warehouse, and large retail stores.

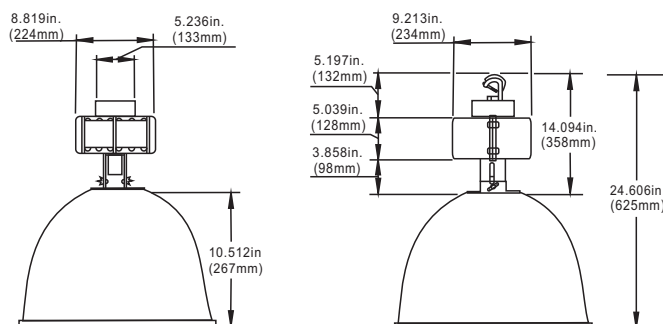


INDUSTRIAL LIGHTING

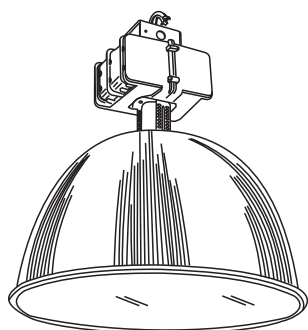
GENERAL SPECIFICATION

- UL and CUL listed for damp locations
- Superior heavy duty die cast aluminum construction with white powder coating finish
- Mogul base socket-E39 standard, UL approved
- Comes with a hook for easy mounting
- Reflector comes in 22 inches acrylic reflector
- Ideal for HPS and MH 400 Watts Max

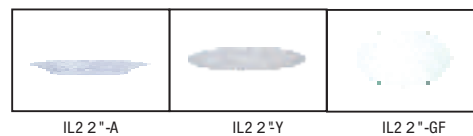
DIMENSIONS



LINE DRAWING



ASSEMBLY PARTS



ITEM NO .	LAMP	VOLTS	BALLAST
IL417-R22-S40	HPS400W/ED18/E-39	QUAD	HX-HPF
IL417-R22-H40	MH400W/ED28/E-39	QUAD	HX-HPF