

# INDUSTRIAL LIGHTING

Item No.: **IL417-L16**



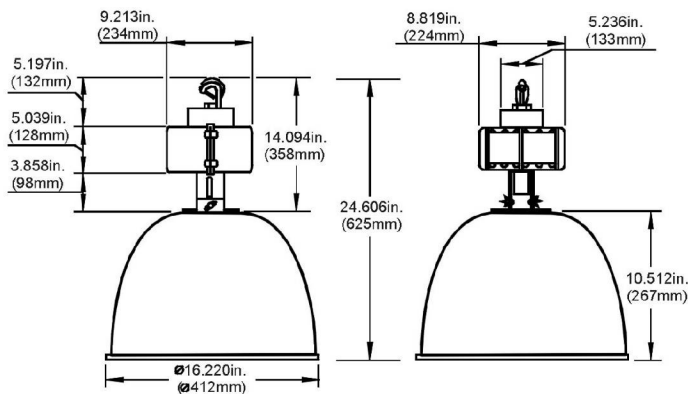
## Applications

For over 20 ft. (6 meter) applications factories, foundries, machines shops, warehouse, and large retail stores.

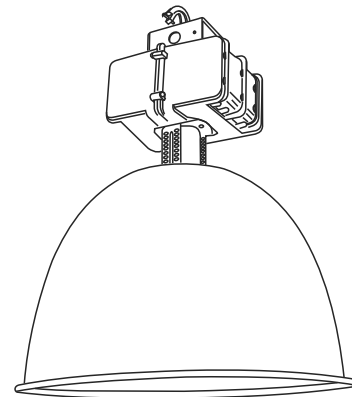
## Specification Features

- UL listed for damp locations
- CSA certified for indoor locations
- Superior heavy duty die cast aluminum construction with white powder coating finish
- Mogul base socket-E39 standard, UL approved
- Comes with a hook for easy mounting
- Anodized aluminum which has been spun and anodized
- Reflector comes in 16 inches or 22 inches
- Ideal for HPS and MH 400 Watts Max

## Engineering Dimensions



## Line Drawing



## Packing Information

	Weights	Cubit Feet	Master Carton Qty	40' Container Qty
HB-417EB	6.79LBS	0.569'	1 PC	3600 PCS
16" Reflector(Al)	22.88LBS	3.295'	12PCS	7400 PCS



Pro-Itte Electrical Factory  
ISZ 9051-2010  
File Number: A9472