

# HL102



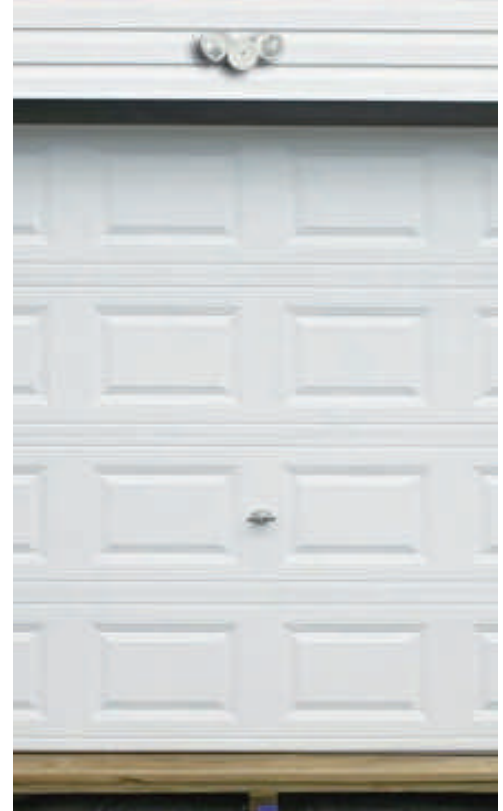
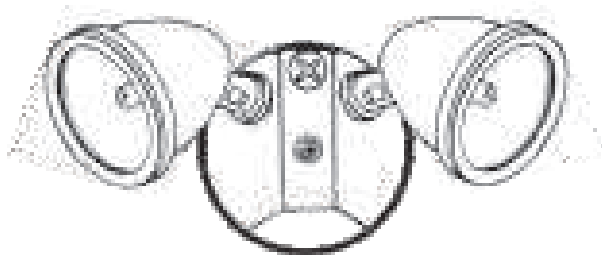
Building facades, signs, sports fields, and other general floodlighting applications.

Emergency and temporary floodlighting.

## GENERAL SPECIFICATION

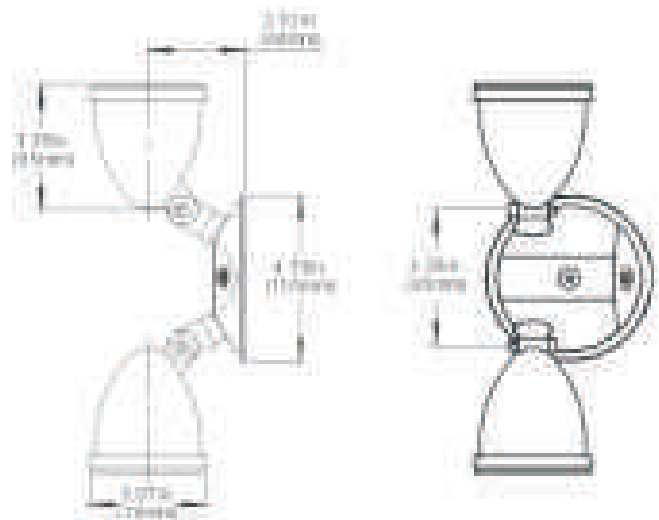
- UL and CUL listed for wet locations
- Die-cast aluminum construction
- Tempered door glass
- One-half inch threaded swivel mount
- Dark bronze or white finish
- Ideal for 2X100 Watts Halogen Lamp Max
- Lamp included

## LINE DRAWING



HALOGEN LIGHTING

## DIMENSIONS



ITEM NO .

LAMP

HL102

2x100W QUARTZ HALOGEN BULB MAX