

# FLL-206-TR

40 LEDs

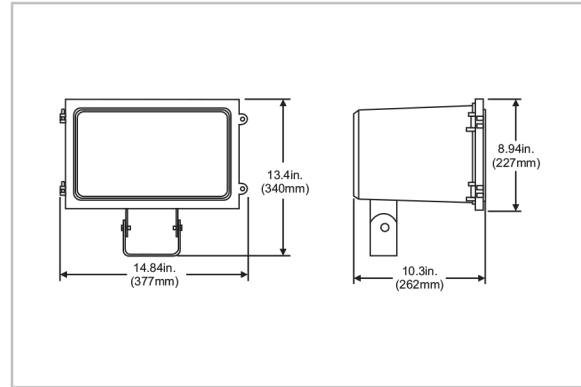
## Large Flood Lighting

FLL-206-TR is a real energy conserving powerful floodlight. More light than a 150w halogen for about 1/7<sup>th</sup> the energy. Relamping once every 12~15 years, instead of every 6 months. Perfect for hard to service locations. Rugged die cast design insures LED's operate at optimum temperature for long life. Sealed to the environment for long reliable service life.

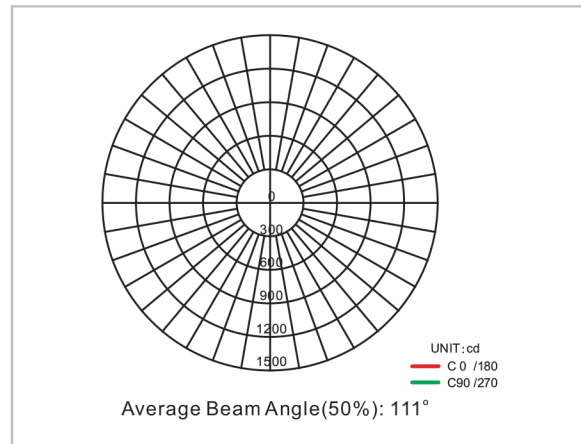


# DDE Inc.

## DIMENSIONS



## PHOTOMETRICS



## TECHNICAL SPECIFICATIONS

- \* Die cast housing
- \* Architectural bronze UV resistant powder coat finish
- \* UL listed / CUL listed
- \* Input voltage: 120~277V AC
- \* Highest quality long life LEDs
- \* Low Tj for long life, low lumen depreciation
- \* LED power — 40 Watts
- \* Input power — approx. 52 Watts
- \* Lumens per LED — approx. 90~95
- \* Low starting temp -30°C
- \* Color temperature — 4700K ( other K values optional)
- \* IC current controlled LED circuits
- \* Various optics available

DDE Inc.

ddeonline.com  
888-271-0644



Powered by CREE LEDs