

FLL-220

18 LEDs

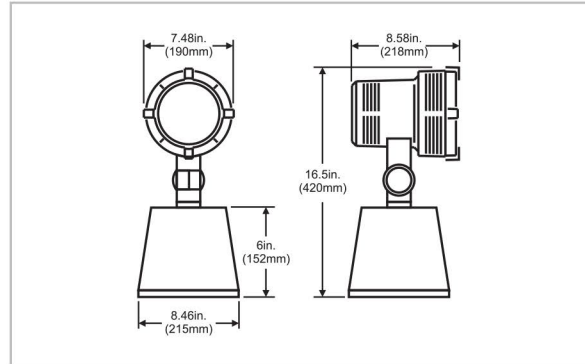
DDE Inc.

Architectural Design Flood Lighting

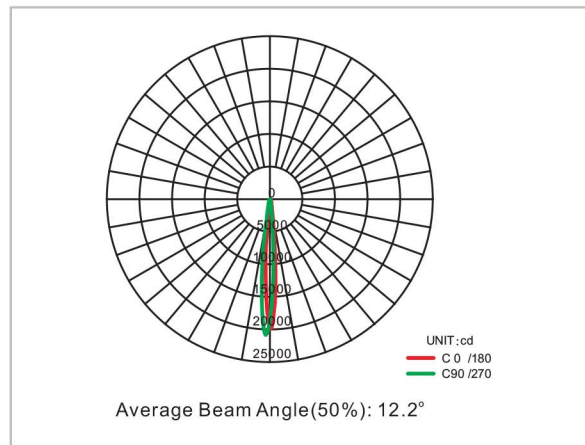
FLL-220 is a real energy conserving powerful floodlight. More light than a 150w halogen for about 1/7th the energy. Relamping once every 12~15 years, instead of every 6 months. Perfect for hard to service locations. Rugged die cast design insures LED's operate at optimum temperature for long life. Sealed to the environment for long reliable service life.



DIMENSIONS



PHOTOMETRICS



TECHNICAL SPECIFICATIONS

- * Die cast housing
- * Architectural bronze UV resistant powder coat finish
- * UL listed / CUL listed
- * Input voltage: 120~277V AC
- * Highest quality long life LEDs
- * Low Tj for long life, low lumen depreciation
- * LED power — 18 Watts
- * Input power — approx. 24 Watts
- * Lumens per LED — approx. 90~95
- * Low starting temp -30°C
- * Color temperature — 4700K (other K values optional)
- * IC current controlled LED circuits
- * Various optics available

DDE Inc.

ddeonline.com
888-271-0644



Powered by **CREE** LEDs™