

# FL281-NEMA5/6

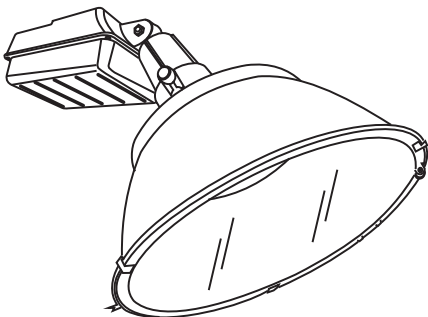


Ideal for building, back yards, parks, signs, sports field, and other general applications where floodlighting may come into use.

## GENERAL SPECIFICATION

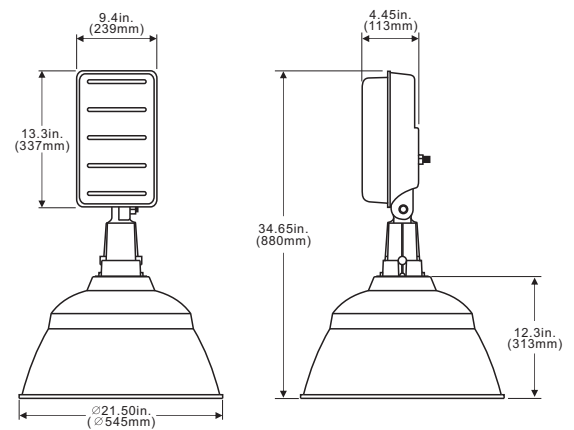
- Heavy duty die-cast aluminum, construction corrosion resistant hardware
- Silicone rubber included to prevent any leakage from the outside
- Heat and impact resistant tempered glass
- Come with anodized aluminum reflector
- Lampholder E-39, 4KV, UL approved
- Ideal for HPS 1000 Watts and MH 1500 Watts Max

## LINE DRAWING



FLOOD LIGHTING

## DIMENSIONS



ITEM NO .	LAMP	VOLTS	BALLAST
FL281-NEMA5/6-S100	HPS1000W/E25/E-39	QUAD	HX-HPF
FL281-NEMA5/6-H150	MH1500W/BT37/E-39	QUAD	HX-HPF