

## SM356



Parking areas, entrances, walkways, underpasses, loading docks, recreation areas.

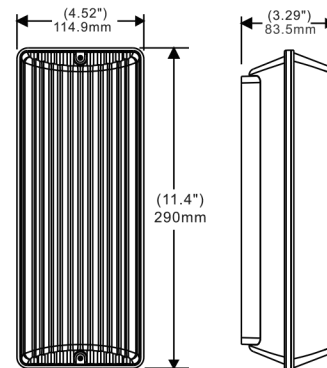


SURFACE MOUNT LIGHTING

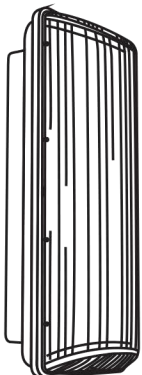
### GENERAL SPECIFICATION

- UL listed for wet locations
- High impact polycarbonate lens
- Die-cast aluminum base plate with conduit access  
Corrosion Resistant
- Silicone rubber included to prevent any leakage from the outside
- Ideal for Watts and 1 XPL13 Watts Max

### DIMENSIONS



### LINE DRAWING



### PHOTOCONTROL



ITEM NO.	LAMP	BALLAST
SM356-P113	1X13W/CFL	HX-HPF