

SURFACE MOUNT LIGHTING

Item No.: **SM353**

Applications

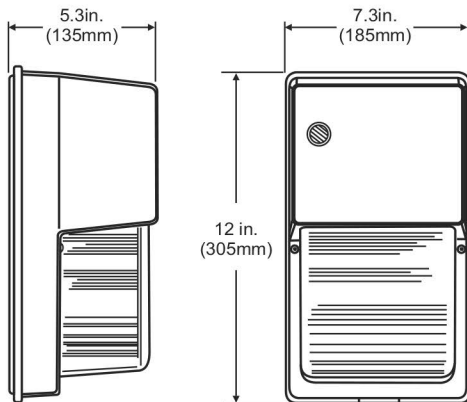
Parking areas, entrances, walkways, underpasses, loading docks, recreation areas.



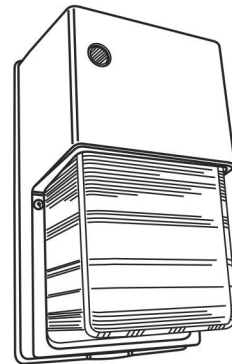
Specification Features

- UL listed for wet locations
- Heavy duty die-cast aluminum housing with high impact/heat resistant borosilicate glass for ultimate light distribution
- Aluminum base plate with conduit access
- One piece anodized aluminum designed reflector for best light efficiency
- Silicone rubber included to prevent any leakage from the outside
- 1/2" tapped holes available for installing photocell (photocell optional)
- Ideal for MH and HPS 100 Watts Max

Engineering Dimensions



Line Drawing



Packing Information

Weights	Cubit Feet	Master Carton Qty	40' Container Qty
44.1LBS	2.56'	6 PCS	4800 PCS

