



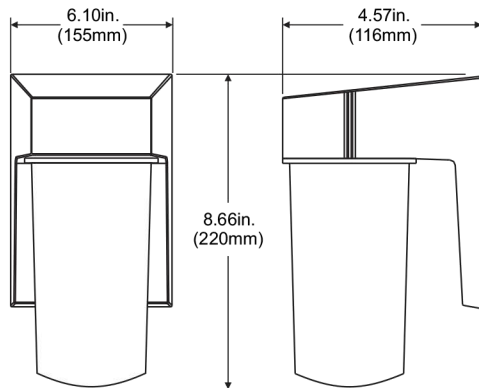
**SM13
SPECIAL ORDER**

DDE Inc.



Parking areas, entrances, walkways, underpasses, loading docks, recreation areas.

DIMENSIONS



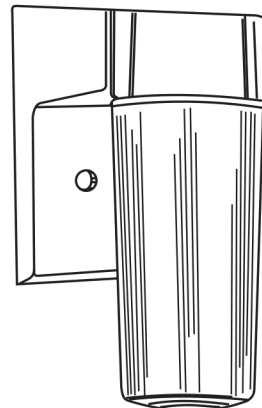
GENERAL SPECIFICATION

- UL listed for wet locations
- High impact resistance plastic housing
- Acrylic prismatic lens
- Corrosion Resistant
- Ideal for HPS PL 1 X13 Watts Max

PHOTOCONTROL



LINE DRAWING



ITEM NO.	LAMP	BALLAST
SM13-P113	1X13W/CFL	HX-HPF