



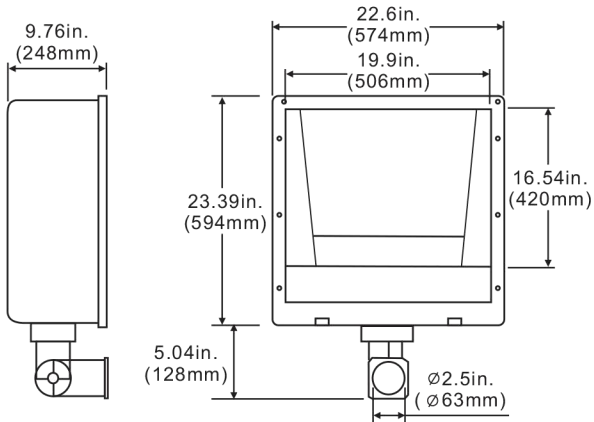
AR822FT-SF

SPECIAL ORDER



Ideal for building, back yards, parks, signs, sports field, and other general applications where floodlighting may come into use.

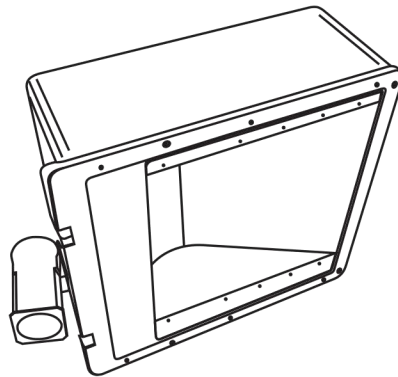
DIMENSIONS



GENERAL SPECIFICATION

- UL and CUL listed for wet locations
- Heavy duty die-cast aluminum powder coating, construction corrosion resistant hardware
- Silicone rubber included to prevent any leakage from the outside
- Heat and impact resistant tempered glass
- Come with anodized aluminum reflector
- Lampholder E-39, 4KV, UL approved
- Ideal for HPS and MH 1000 Watts Max

LINE DRAWING



ASSEMBLY PARTS



Vandal Shield

Wire Guard

Visor

| ITEM NO. | LAMP | VOLTS | BALLAST |
|-----------------|-------------------|-------|---------|
| AR822FT-SF-S40 | HPS400W/ED18/E-39 | QUAD | HX-HPF |
| AR822FT-SF-H40 | MH400W/ED28/E-39 | QUAD | HX-HPF |
| AR822FT-SF-S100 | HPS1000W/E25/E-39 | QUAD | HX-HPF |
| AR822FT-SF-H100 | MH1000W/BT37/E-39 | QUAD | HX-HPF |

DDE Inc.

ddeonline.com
888-271-0644