



## AR826-SF

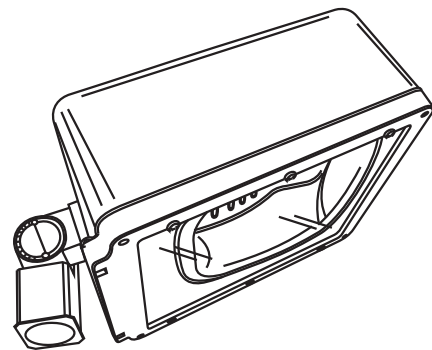


Ideal for building, back yards, parks, signs, sports field, and other general applications where floodlighting may come into use.

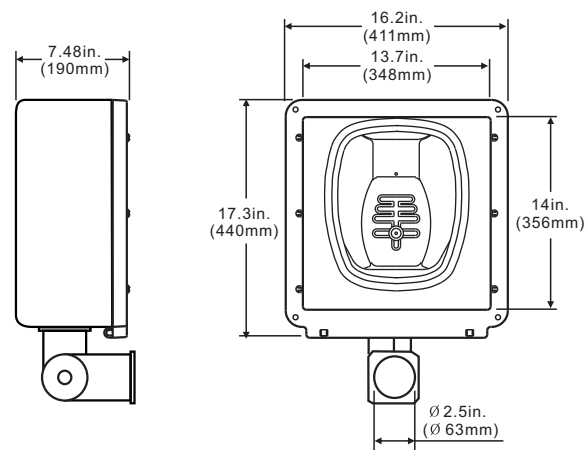
### GENERAL SPECIFICATION

- UL and CUL listed for wet location
- Heavy duty die-cast aluminum housing
- Heat and impact resistant tempered glass lens
- Standard with mogul base socket-E39, 4KV, UL approved
- Polyester powder paint finish standard for architectural metallic bronze finish
- A silicone gasket for weather seal
- Ideal for HPS and MH 400 Watts Max

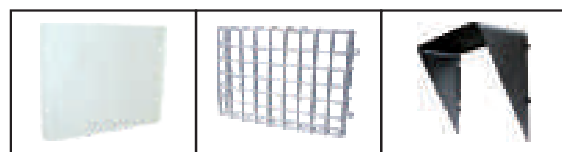
### LINE DRAWING



### DIMENSIONS



### ASSEMBLY PARTS



ITEM NO .	LAMP	VOLTS	BALLAST
AR826-SF-S25	HPS250W/ED18/E-39	QUAD	HX-HPF
AR826-SF-H25	MH250W/ED28/E-39	QUAD	HX-HPF
AR826-SF-S40	HPS400W/ED18/E-39	QUAD	HX-HPF
AR826-SF-H40	MH400W/ED28/E-39	QUAD	HX-HPF

## AR826-TR

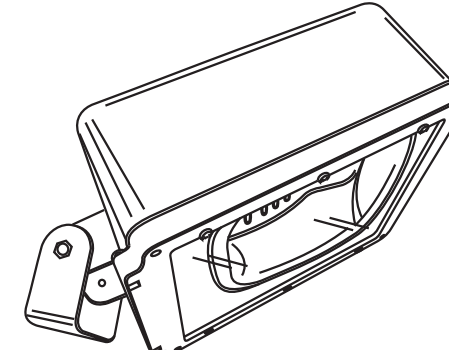


Ideal for building, back yards, parks, signs, sports field, and other general applications where floodlighting may come into use.

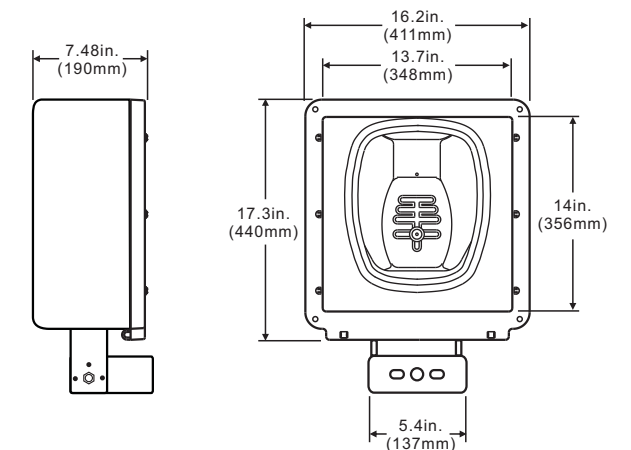
### GENERAL SPECIFICATION

- UL and CUL listed for wet location
- Heavy duty die-cast aluminum housing
- Heat and impact resistant tempered glass lens
- Standard with mogul base socket-E39, 4KV, UL approved
- Polyester powder paint finish standard for architectural metallic bronze finish
- A silicone gasket for weather seal
- Ideal for HPS and MH 400 Watts Max

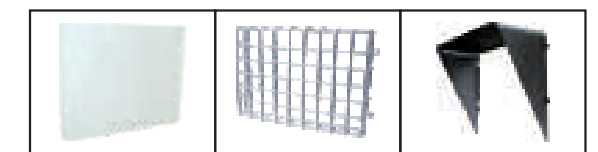
### LINE DRAWING



### DIMENSIONS



### ASSEMBLY PARTS



ITEM NO .	LAMP	VOLTS	BALLAST
AR826-TR-S25	HPS250W/ED18/E-39	QUAD	HX-HPF
AR826-TR-H25	MH250W/ED28/E-39	QUAD	HX-HPF
AR826-TR-S40	HPS400W/ED18/E-39	QUAD	HX-HPF
AR826-TR-H40	MH400W/ED28/E-39	QUAD	HX-HPF

