



AR822FT-SF

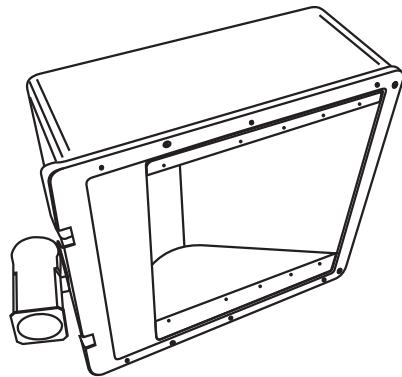


Ideal for building, back yards, parks, signs, sports field, and other general applications where floodlighting may come into use.

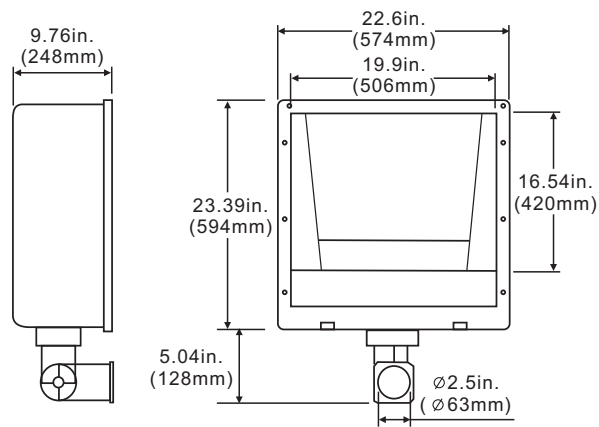
GENERAL SPECIFICATION

- UL and CUL listed for wet locations
- Heavy duty die-cast aluminum powder coating, construction corrosion resistant hardware
- Silicone rubber included to prevent any leakage from the outside
- Heat and impact resistant tempered glass
- Come with anodized aluminum reflector
- Lampholder E-39, 4KV, UL approved
- Ideal for HPS and MH 1000 Watts Max

LINE DRAWING



DIMENSIONS



ASSEMBLY PARTS



ITEM NO .	LAMP	VOLTS	BALLAST
AR822FT-SF-S40	HPS400W/ED18/E-39	QUAD	HX-HPF
AR822FT-SF-H40	MH400W/ED28/E-39	QUAD	HX-HPF
AR822FT-SF-S100	HPS1000W/E25/E-39	QUAD	HX-HPF
AR822FT-SF-H100	MH1000W/BT37/E-39	QUAD	HX-HPF

AR822FT-TR

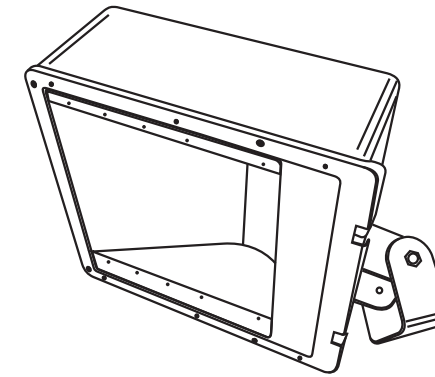


Ideal for building, back yards, parks, signs, sports field, and other general applications where floodlighting may come into use.

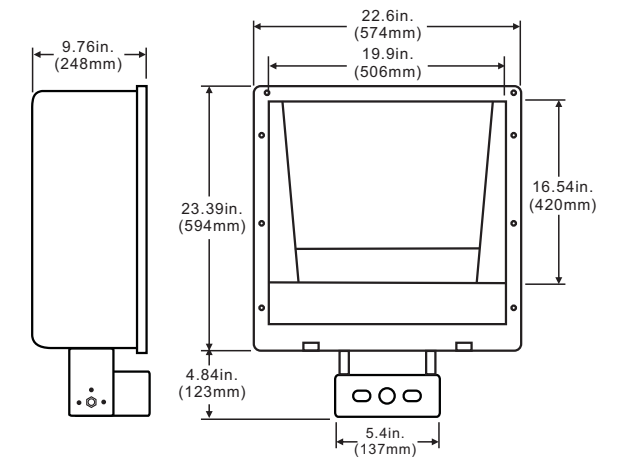
GENERAL SPECIFICATION

- UL and CUL listed for wet locations
- Heavy duty die-cast aluminum powder coating, construction corrosion resistant hardware
- Silicone rubber included to prevent any leakage from the outside
- Heat and impact resistant tempered glass
- Come with anodized aluminum reflector
- Lampholder E-39, 4KV, UL approved
- Ideal for HPS and MH 1000 Watts Max

LINE DRAWING



DIMENSIONS



ASSEMBLY PARTS



ITEM NO .	LAMP	VOLTS	BALLAST
AR822FT-TR-S40	HPS400W/ED18/E-39	QUAD	HX-HPF
AR822FT-TR-H40	MH400W/ED28/E-39	QUAD	HX-HPF
AR822FT-TR-S100	HPS1000W/E25/E-39	QUAD	HX-HPF
AR822FT-TR-H100	MH1000W/BT37/E-39	QUAD	HX-HPF

